

V1492N-T Series

Integrated High-speed IP PTZ Camera System

Infinova[®]
The Integrator's Manufacturer



- Resolution up to D1@ H.264/M-JPEG
- Three simultaneous video streams: Dual H.264 & Scalable M-JPEG
- Low bandwidth with high image quality and smooth video
- Onvif Profile S
- Remote PTZ control
- Supports RS485 remote control and analog video output
- Area zoom, image PTZ and image overlapping
- Multiple white balance modes
- Local recording
- Storage to SD card
- Supports Presets, AutoPans, Patterns, AutoScan, Timed Tour, Normal Tour and Home Return
- Privacy mask, motion detection
- 2 alarm inputs and 1 relay output
- Two-way audio, G.711
- High strength aluminum-alloy casting, heat and corrosion resistant
- Window wiper, built-in heater, window defroster/defogger included
- Operational in 90 mph wind conditions, withstanding wind velocity of up to 130 mph
- IP66 environment rating
- Upgrade online

V1492N-T Series Integrated High-speed IP PTZ Camera System is a new generation of video surveillance product developed by InfinoVA, which can provide high image quality with the resolution up to D1, true day/night functionality, H.264 (major and minor stream) and M-JPEG compression formats, and three simultaneous video streams. Built-in with 28X/36X camera module, this camera also features auto focus, auto white balance, auto gain control, etc. A precision motor drive is applied for good operability, flexible action, smooth running and little noise.

The PTZ cameras offer a user-friendly GUI interface, which makes it easy to adjust the video parameters and perform the PTZ operation. In addition, functions like area zoom and image PTZ are also available.

The PTZ cameras also feature such functions as Presets, Patterns, AutoPans, AutoScan and Normal Tour.

Its powder-coated aluminum construction, absolute operating temperature range of -40°F~140°F (-40°C~60°C) and built-in heater and defroster automatically enabled at low temperatures makes it an ideal surveillance solution for both indoor and outdoor applications.

Technical specifications

Lens	
Optic Zoom	28X/36X
Aperture/Focal Length	28X: F1.35~F3.7; f=3.5~98mm 36X: F1.6~ F4.5; f=3.4~122.4mm
Angle of View	28X: 55.8° (Wide) / 2.1° (Tele) 36X: 57.8° (Wide) ~1.7° (Tele)
Min. Work Distance	28X: 0.01m (Wide) ~ 1.5m (Tele) 36X: 0.32m (Wide) ~ 1.5m (Tele)
Camera	
Image Sensor	1/4" progressive scanning CCD
Scanning System	2:1 Interlace scanning
Video Type	PAL/NTSC (D/N)
Effective Pixels	PAL/440K: 752(H) x 582 (V) NTSC/380K: 768 (H) x 494 (V)
Sensitivity	28X: Color mode: 0.25 lux (F1.35, 50IRE) (typ.); 0.16 lux (NTSC: 1/4s, PAL: 1/3s) (typ.) B/W mode: 0.0015 lux (NTSC: 1/4s, PAL: 1/3s) 36X: Color mode: 1.4 lux (NTSC: 1/60s, PAL: 1/50s); 0.1 lux (NTSC: 1/4s, PAL: 1/3s) B/W mode: 0.01 lux (NTSC: 1/4s, PAL: 1/3s)
S/N Ratio	>50dB
Sync System	Internal
Iris	Auto / Manual / M/A
Focus	Auto / Manual / M/A
Shutter Speed	Auto: Default Manual: PAL: 1/1~1/10,000s; NTSC: 1/1~1/10,000s
Image	
Frame Rate (max.)	NTSC: 30fps; PAL: 25fps
Maximum Resolution	D1 @H.264/M-JPEG
Horizontal Resolution	550TVL
Optional Resolution	Major stream: PAL: D1 (720×576) / 4CIF (704 × 576); NTSC: D1 (720×480) / 4CIF (704 × 480) Minor stream: PAL: D1 (720×576) / 4CIF (704 × 576) / 2CIF (704 × 288) / CIF (352 × 288) / QCIF (176 × 144) NTSC: D1 (720×480) / 4CIF (704 × 480) / 2CIF (704 × 240) / CIF (352 × 240) / QCIF (176 × 120)
BLC	ON/OFF
AGC	Available
WDR	28X: / 36X: OFF/DVER COMP/EXP RATIO /AUTO
DNR	OFF/AUTO/MANU
DSS	Available
White Balance	AUTO/MANU/INDOOR/OUTDOOR/ OUTDOOR AUTO/SODI/ATW
EIS	ON/OFF
Slow AE	Available
Others	Sharpness adjustable
Operational	
Presets	1~255
Patterns	4
Autopans	4
Normal Tours	6 (each tour can be associated with 14 actions, including Preset 1~32, Pattern 1~4, or AutoPan 1~4)

Home Return	Available
Timed Tour	Available
Auto Scan	Available
Alarm	2 alarm inputs, 1 relay output
Privacy Mask	24
Motion Detection	4 areas
Area Zoom	Available
Web Server	Available
E-Zoom	Available
Upgrade Online	Available
Network	
Network Delay	<300ms
Data Rate	Variable bit rate (vbr); Constant bit rate (cbr): 256Kbps~10000Kbps
Network Protocols	IPv4, TCP, UDP, IGMP, DHCP, FTP, SNMP(v3), SMTP, NTP, RTP, RTSP, RTCP, HTTP, HTTPS, TSL, SSL, 802.1X, QoS, PPPoE, DNS, ARP, ICMP
RS485	
Decoder	INFINOVA, PELCO-P/D
Camera Address	1~255
Baud Rate	2400/4800/9600bps
Compression	
Audio Compression	G.711
Video Compression	H.264/M-JPEG
Interface	
Audio Port	1 input, linear level, impedance: 1kΩ; 1 output, linear level, impedance: 600Ω
Network Port	1 RJ45 10/100M self-adaptive Ethernet port
Mechanical	
Variable Speed	Pan: 0.1°~50°/s; Tilt: 0.1°~45°/s
Preset Speed	Pan: 85°/s (max.); Tilt: 40°/s (max.)
Rotation Angle	Pan: 360°; Tilt: +40°~90°
Mounting	Surface, Wall, Pole Side, Corner, Pole Top
Physical	
Construction	Die-cast, extruded and sheet aluminum; stainless steel hardware
Environmental Rating	IP66
Load	Pan: 22lbs. (10kg); Tilt: 7.7lbs. (3.5kg)
Product Weight	22.27 lbs (10.1kg)
Shipping Weight	31.97 lbs (14.5kg)
Box Dimension (L×W×H)	22.99"×16.81"×10.00" (584mm×427mm×254mm)
Electrical	
Power Supply	24VDC/24VAC self-adaptive
Power Consumption	24VAC: 76W (w/ heater); 24VDC: 67.2W (w/ heater)
Surge Protection	±2000V
Environmental	
Atmospheric Pressure	≤1.5MPa
Operating Temp.	-40°F~140°F (-40°C~60°C)
Storage Temp.	-40°F~140°F (-40°C~60°C)
Operating Humidity	0~95%RH (non-condensing)
Heater	Thermostatically controlled, Turn on at 50°F±9°F (10°C±5°C); Turn off at 86°F±9°F (30°C±5°C)
Certifications and Approval	
Product Certifications	CE ¹ , FCC ² , ISO 9001:2008

Certificate No.: ¹ CTL1406251445-EC; ² CTL1406251445-FCC.

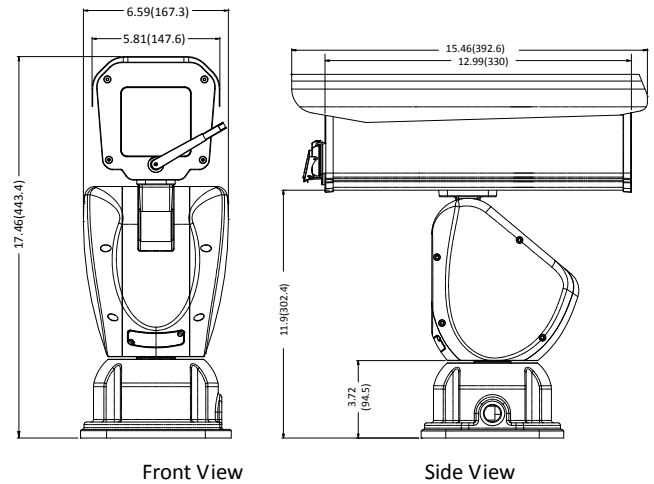
Ordering information

V1492N-28T03S	Integrated High-speed IP PTZ Camera System (H.264/M-JPEG Format, D1, NTSC, 28X, 24VDC/24VAC)
V1492N-28T13S	Integrated High-speed IP PTZ Camera System (H.264/M-JPEG Format, D1, PAL, 28X, 24VDC/24VAC)
V1492N-36T03S	Integrated High-speed IP PTZ Camera System (H.264/M-JPEG Format, D1, NTSC, 36X, 24VDC/24VAC)
V1492N-36T13S	Integrated High-speed IP PTZ Camera System (H.264/M-JPEG Format, D1, PAL, 36X, 24VDC/24VAC)

Recommended Installation Mounts

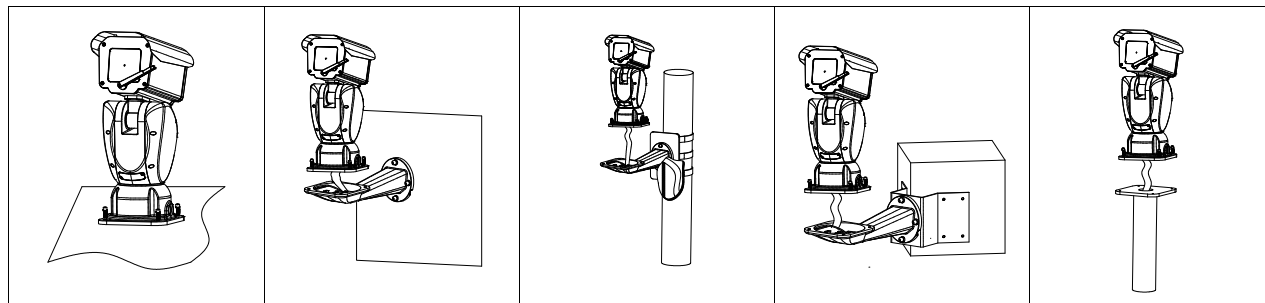
V1662-W1	Wall Mount, 15 inch
V1662-S1	Pole Side Mount, 15 inch
V1662-C1	Corner Mount, 15 inch

Dimensions



(Unit: inch, in the parentheses is mm)

Mounting



Surface Mount

Wall Mount

Pole Side Mount

Corner Mount

Pole Top Mount